

FICHE D'HOMOLOGATION HOMOLOGATION FORM



COMMISSION INTERNATIONALE
DE KARTING – FIA



CARBURATEUR / CARBURETOR

Constructeur	<i>Manufacturer</i>	IBEA Carburettor
Marque	<i>Make</i>	IBEA
Modèle	<i>Model</i>	F6
Catégorie	<i>Category</i>	OK-JUNIOR
Durée de l'homologation	<i>Validity of the homologation</i>	3 ans / 3 years
Nombre de pages	<i>Number of pages</i>	4

La présente Fiche d'Homologation reproduit descriptions, illustrations et dimensions du carburateur au moment de l'homologation CIK-FIA.

This Homologation Form reproduces descriptions, illustrations and dimensions of the carburettor at the moment of the CIK-FIA homologation.



PHOTO CÔTÉ ASPIRATION /
PHOTO OF INLET SIDE

PHOTO CÔTÉ RÉGLAGE /
PHOTO OF ADJUSTING SIDE

**Signature et tampon de l'ASN /
Signature and stamp of the ASN**

**Signature et tampon de la CIK-FIA /
Signature and stamp of the CIK-FIA**

Auto Sport Schweiz GmbH
Auto Sport Suisse Sàrl
Könizstrasse 161
CH-3097 Liebefeld



037-CA-42

PHOTO VUE ARRIERE /
PHOTO VIEW FROM BEHIND



PHOTO CÔTÉ OPPOSÉ RÉGLAGE /
PHOTO OPPOSITE TO ADJUSTING SIDE

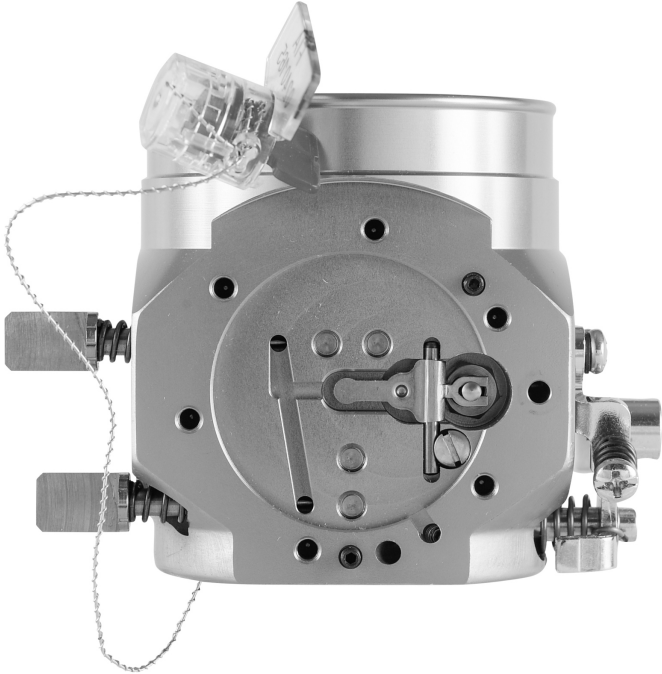

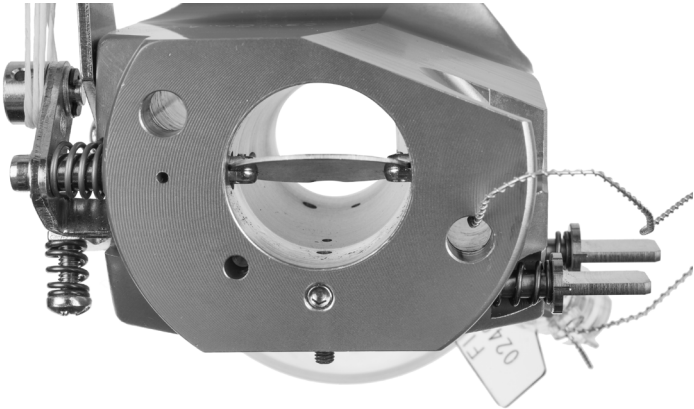



PHOTO VUE DE DESSUS /
PHOTO VIEW FROM ABOVE



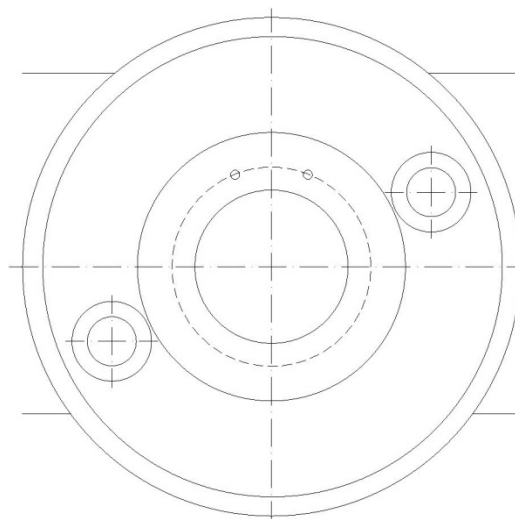
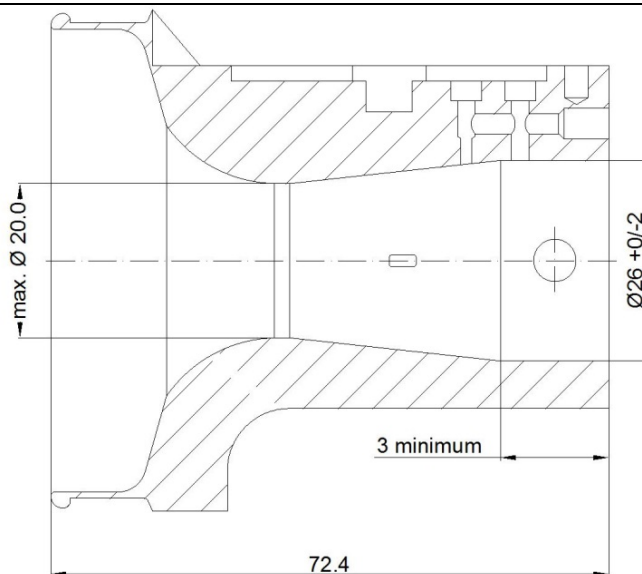
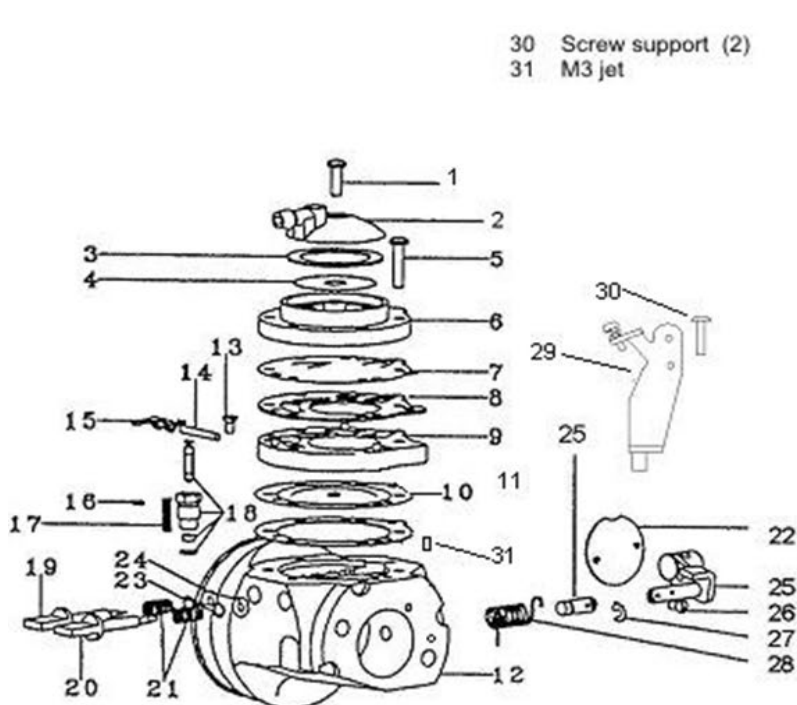
PHOTO VUE DE DESSOUS /
PHOTO VIEW FROM UNDERNEATH



PHOTO VUE DE DESSUS <i>PHOTO VIEW FROM ABOVE (body)</i>	PHOTO CÔTÉ ASPIRATION (vue additionnelle) <i>PHOTO OF INLET SIDE (additional view)</i>
	
PHOTO CÔTÉ ASPIRATION (vue additionnelle) <i>PHOTO OF INLET SIDE (additional view)</i>	 

VUE EN SECTION CONDUIT D'ASPIRATION /
INLET PORT SECTION VIEWVUE DE FACE CÔTÉ ASPIRATION /
INLET SIDE FRONT VIEW

Echelle 1:1 / 1:1 Scale

DESCRIPTION DU CARBURATEUR ET
ESQUISSE DES PIÈCESCARBURETTOR DESCRIPTION AND
SKETCH OF PARTS

- | No. | |
|-----|---------------------------------------|
| 1 | Fuel Strainer Cover Screw |
| 2 | Fuel Strainer Cover |
| 3 | Fuel Strainer Gasket |
| 4 | Fuel Strainer Screen |
| 5 | Fuel Pump Screw (6) |
| 6 | Fuel Pump Body |
| 7 | Fuel Pump Diaphragm |
| 8 | Fuel Pump Gasket |
| 9 | Diaphragm Cover |
| 10 | Diaphragm |
| 11 | Diaphragm Gasket |
| 12 | Carburettor Body incl. centre pin (2) |
| 13 | Inlet Control Lever Screw |
| 14 | Inlet Control Lever Fulcrum |
| 15 | Inlet Control Lever |
| 16 | Closing Cover (4) |
| 17 | Inlet Tension Spring |
| 18 | Inlet Needle Valve Set |
| 19 | Mixture Screw H |
| 20 | Mixture Screw L |
| 21 | Idle Mixture Spring |
| 22 | Shutter |
| 23 | Idle Mixture Screw Washer |
| 24 | Idle Mixture Screw Packing |
| 25 | Shaft |
| 26 | Screw for Shutter (2) |
| 27 | Shaft Clip |
| 28 | Spring for Shaft |
| 29 | Cable support |
| 30 | Screw support (2) |
| 31 | M3 jet |